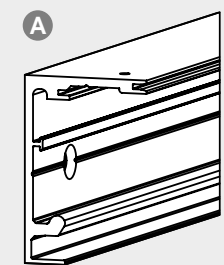
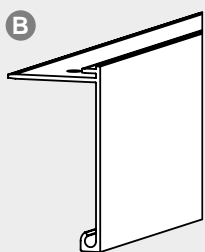


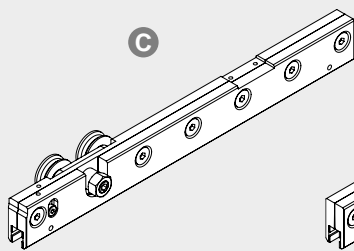
SCHIEBETÜRSYSTEM X120 GLAS 1-FLG. + COMFORT / sliding door system X120 glass 1-leaf + comfort



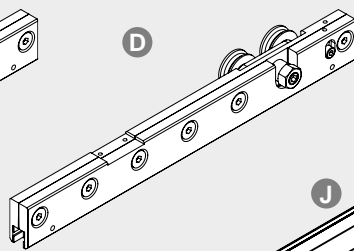
1x



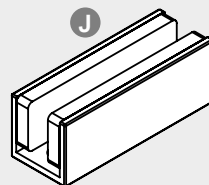
1x



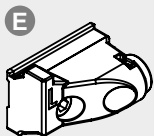
1x



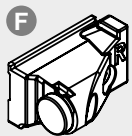
1x



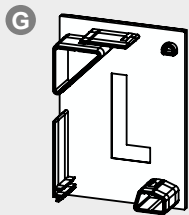
1x



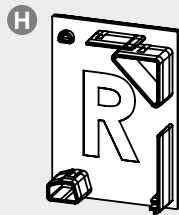
1x



1x



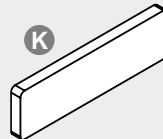
1x



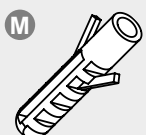
1x



12x



2x



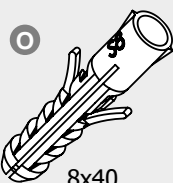
6x30

2x



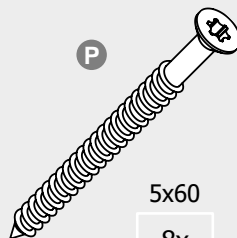
4x30

2x



8x40

8x



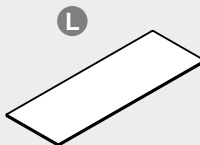
5x60

8x

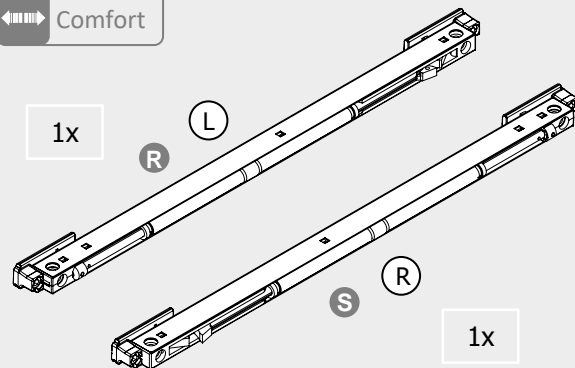


M4x14

2x

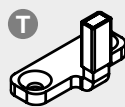


1x



1x

1x

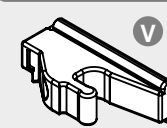
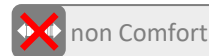


2x

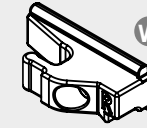


M3x8

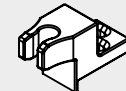
4x



1x



1x

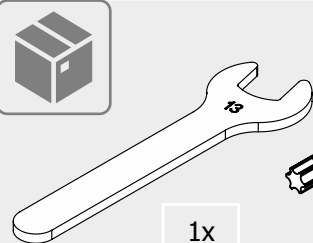


2x

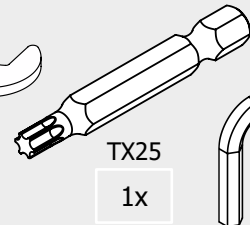


M3x8

4x

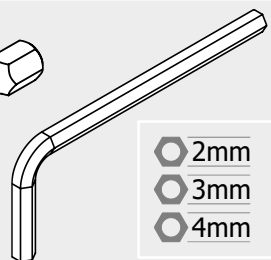


1x



TX25

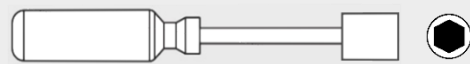
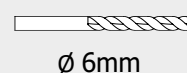
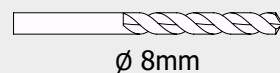
1x



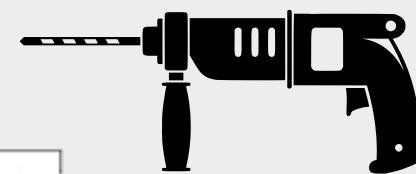
2mm

3mm

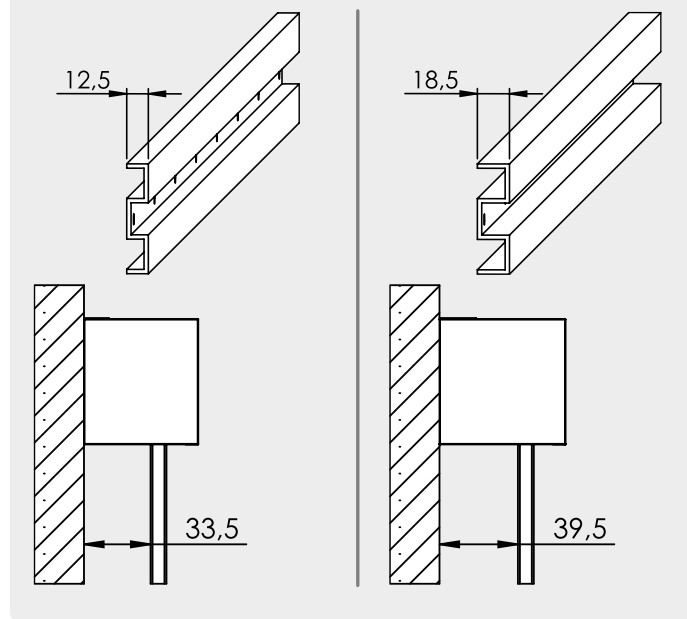
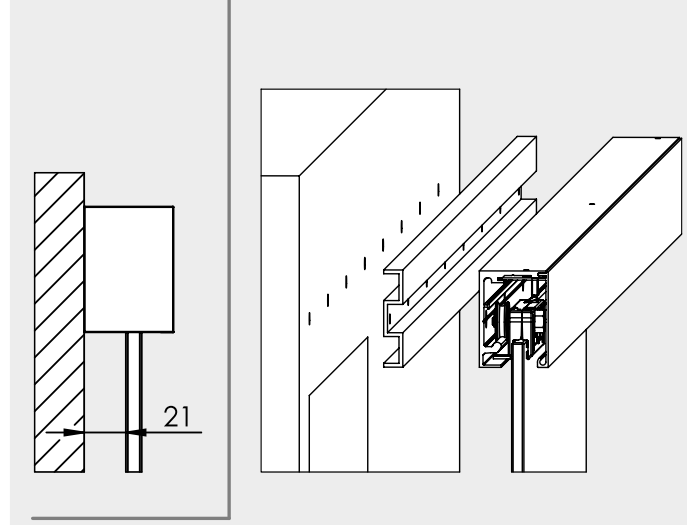
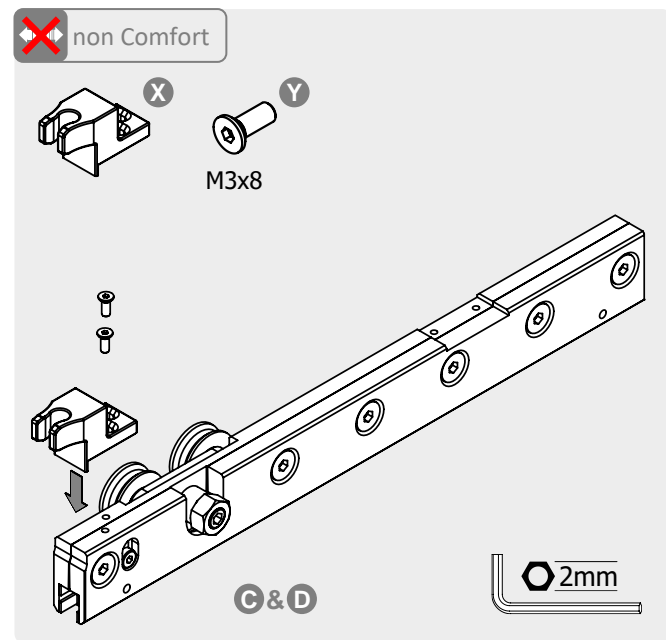
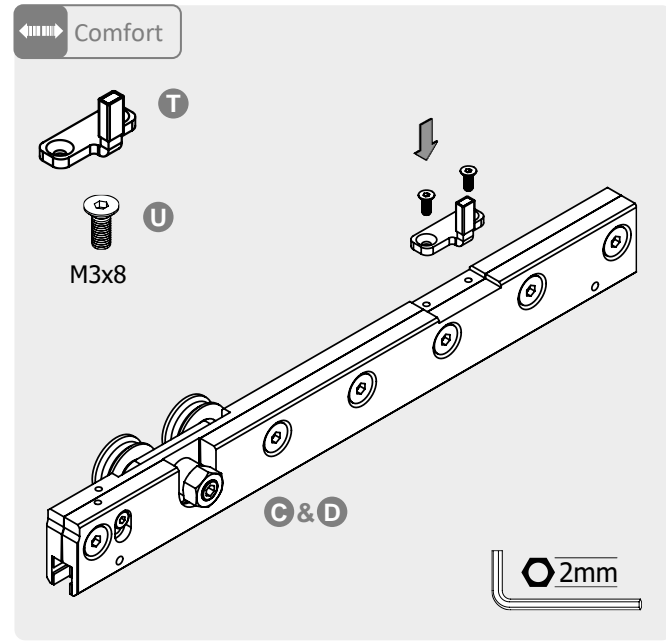
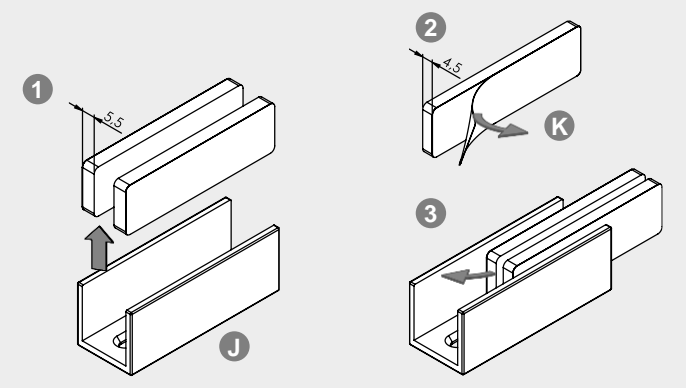
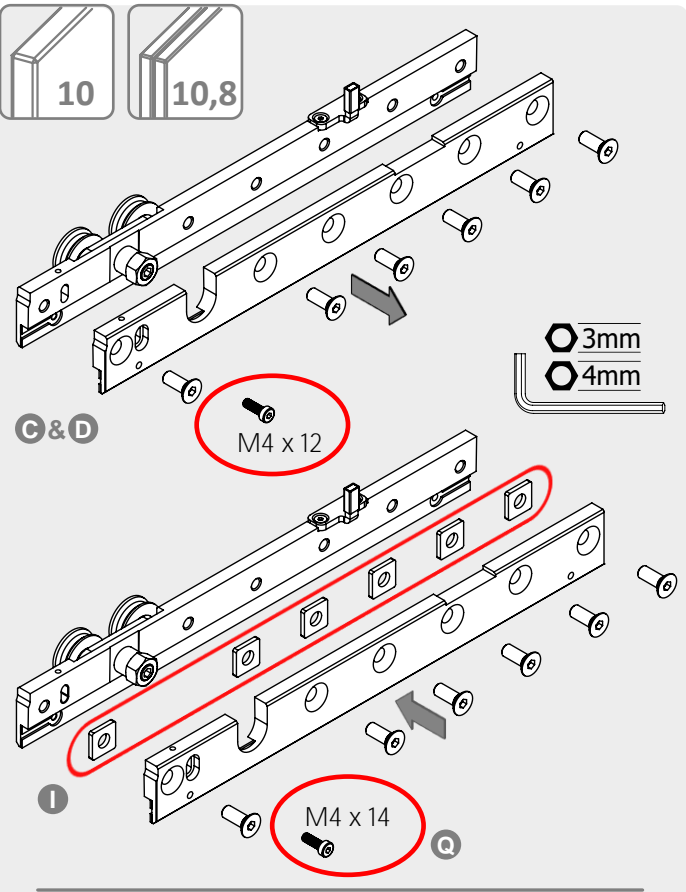
4mm



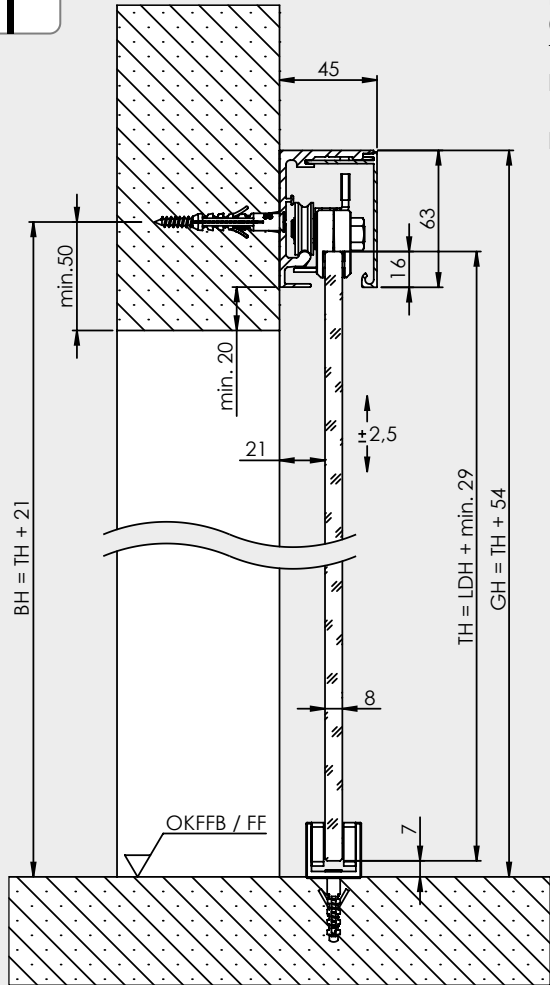
1/4"
(6,35mm)



SCHIEBETÜRSYSTEM X120 GLAS 1-FLG. + COMFORT / sliding door system X120 glass 1-leaf + comfort

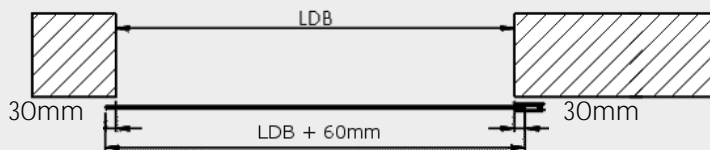


SCHIEBETÜRSYSTEM X120 GLAS 1-FLG. + COMFORT / sliding door system X120 glass 1-leaf + comfort

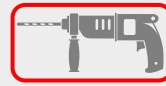


- BH = Bohrhöhe / drilling level
- GH = Gesamthöhe / total height
- TH = Türhöhe / door height
- LDH = Lichte Durchgangshöhe / pass line height
- LDB = Lichte Durchgangsbreite / pass line width

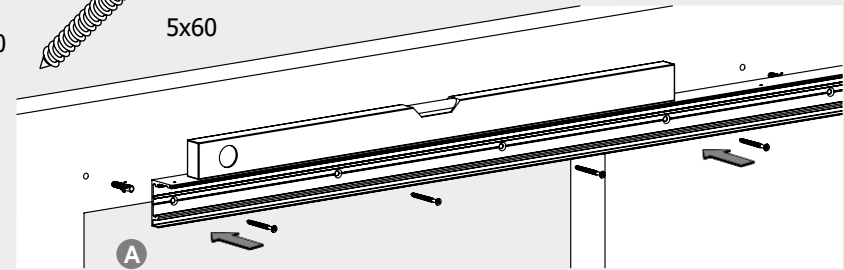
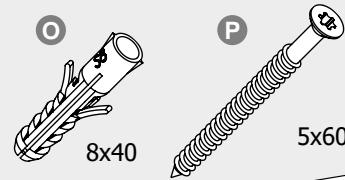
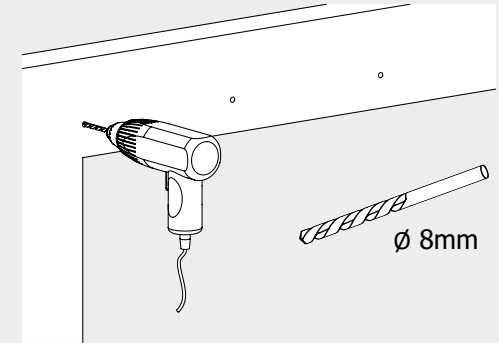
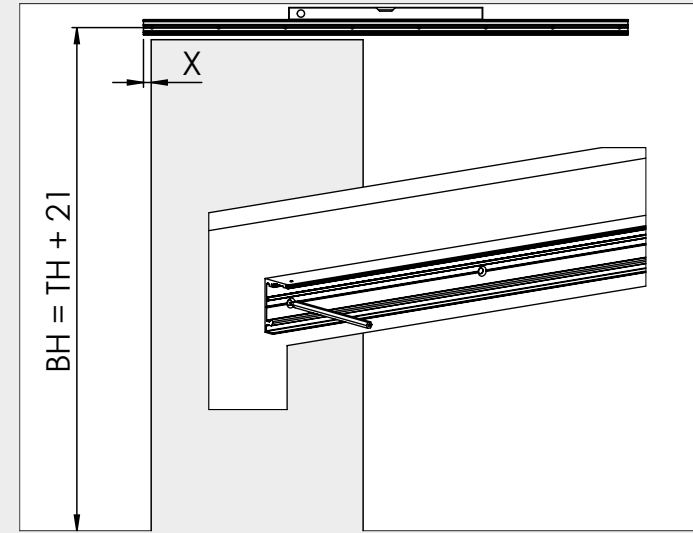
Glasüberstand: 30mm empfohlen
Glass overlap: 30mm recommended



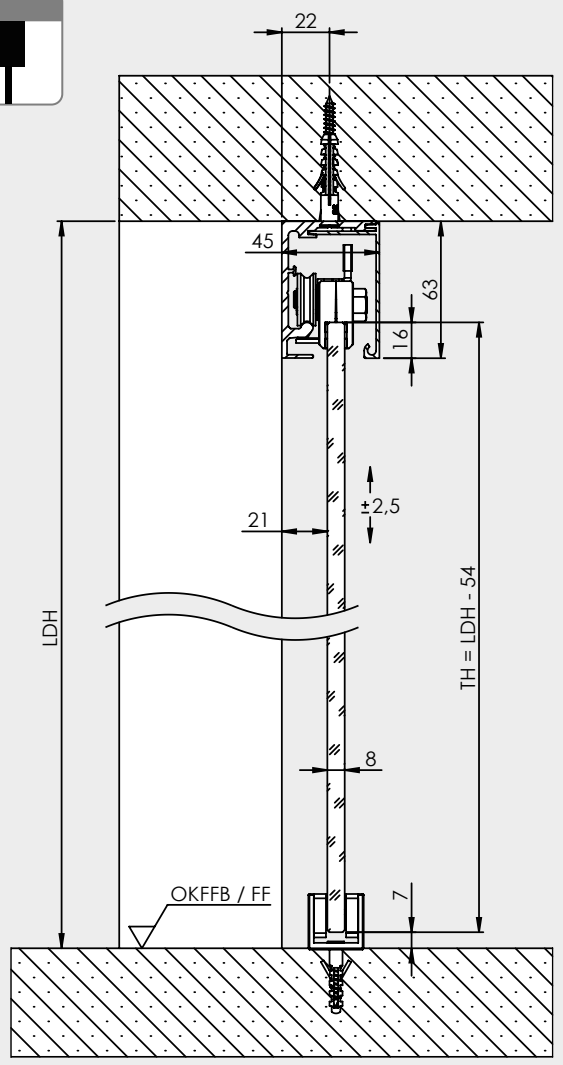
1



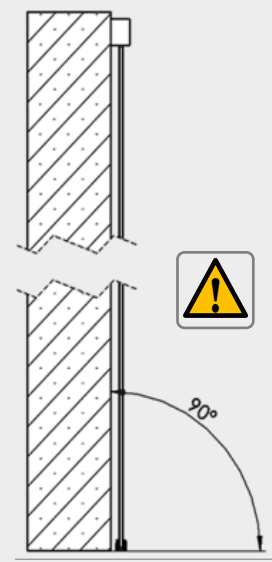
$X = 32\text{mm}$



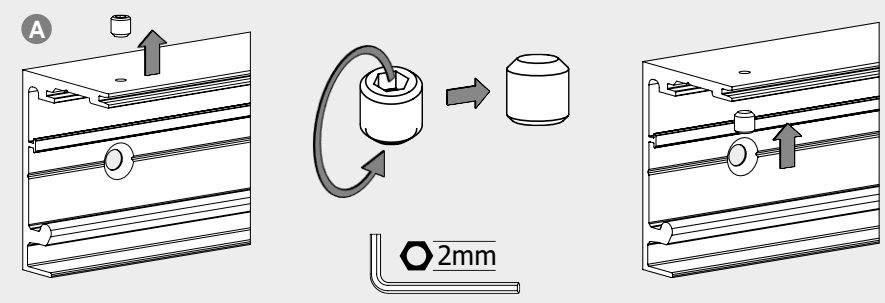
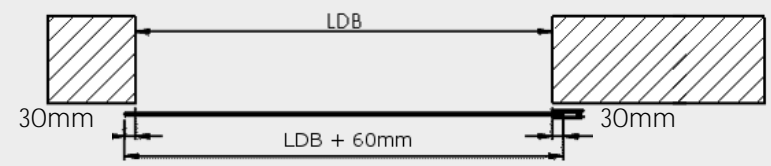
SCHIEBETÜRSYSTEM X120 GLAS 1-FLG. + COMFORT / sliding door system X120 glass 1-leaf + comfort



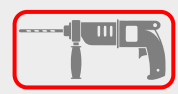
TH = Türhöhe / door height
 LDH = Lichte Durchgangshöhe
 pass line height
 LDB = Lichte Durchgangsbreite
 pass line width



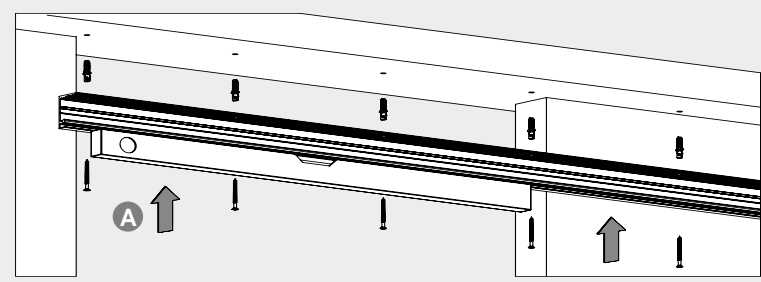
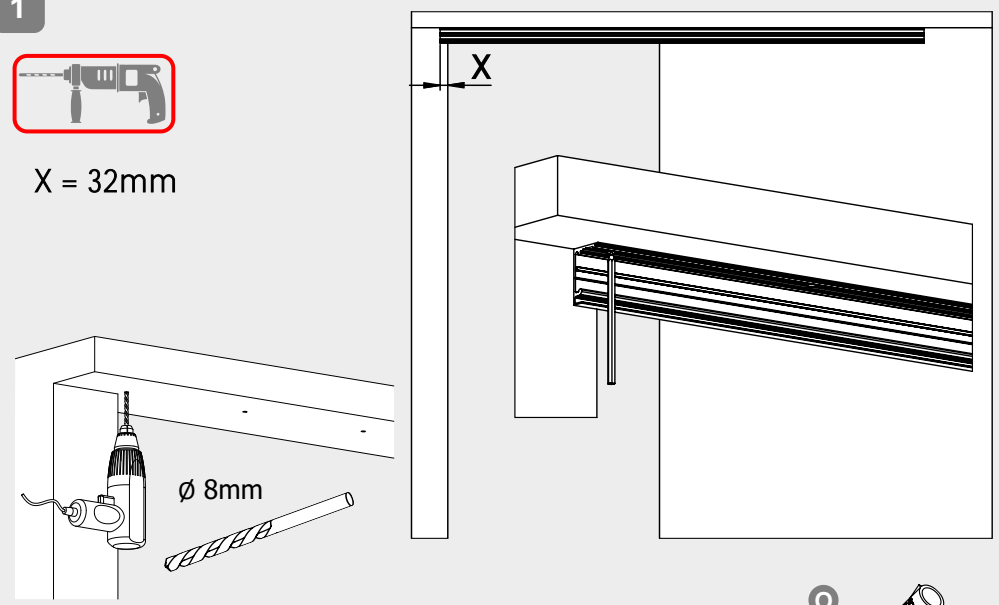
Glasüberstand: 30mm empfohlen
 Glass overlap: 30mm recommended



1

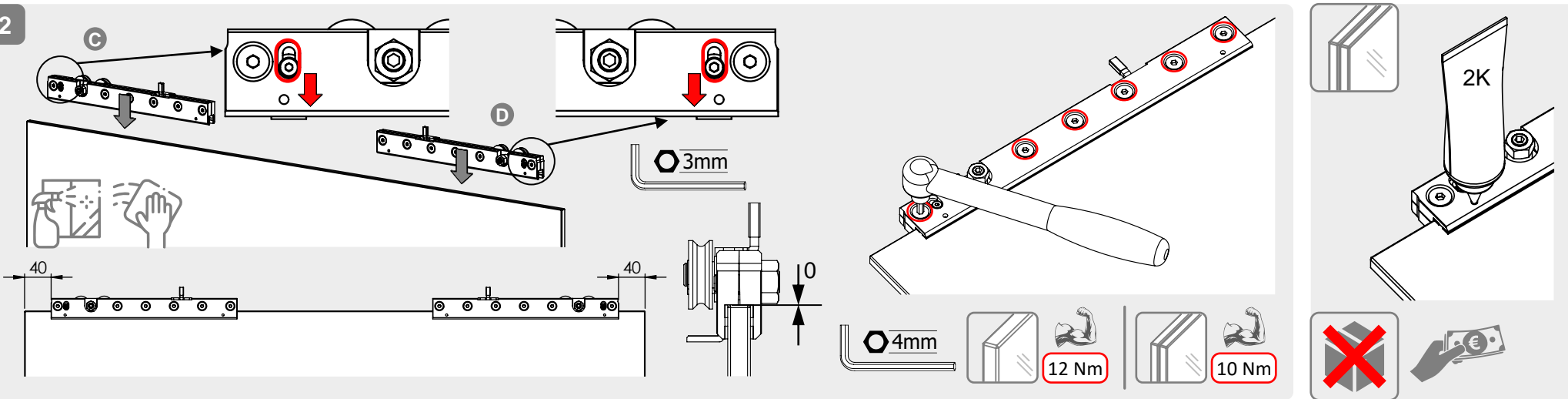


X = 32mm

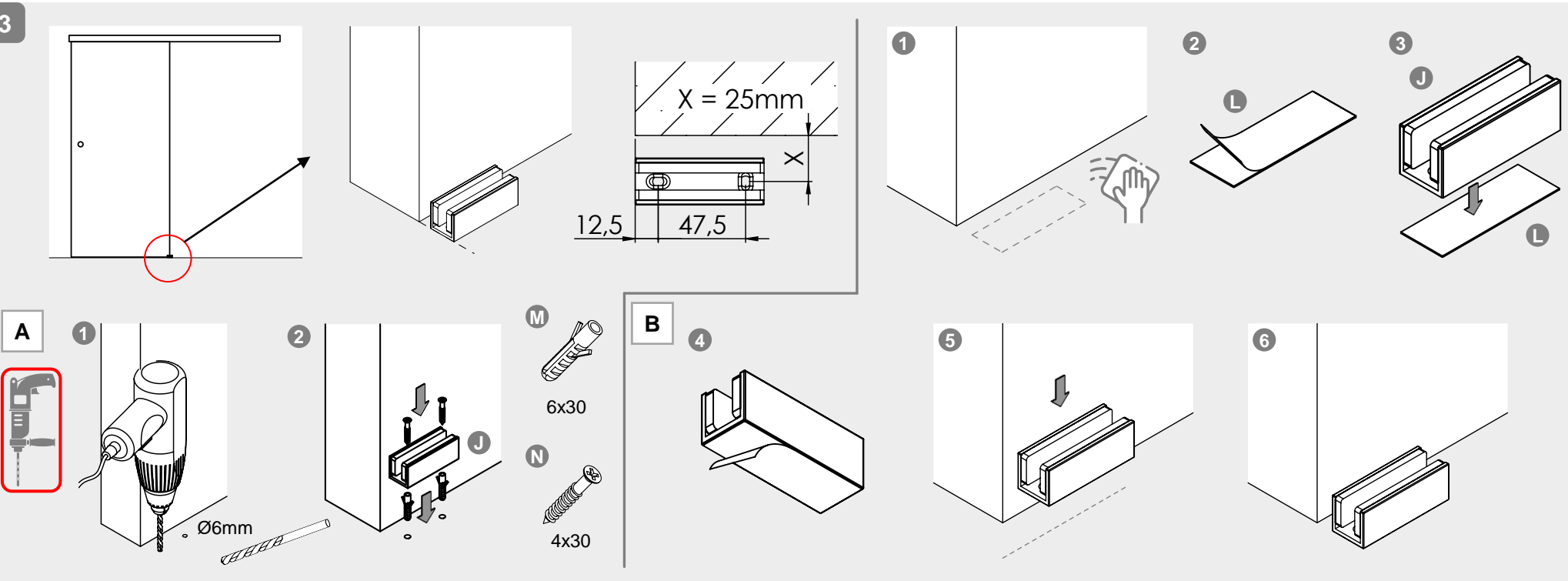


SCHIEBETÜRSYSTEM X120 GLAS 1-FLG. + COMFORT / sliding door system X120 glass 1-leaf + comfort

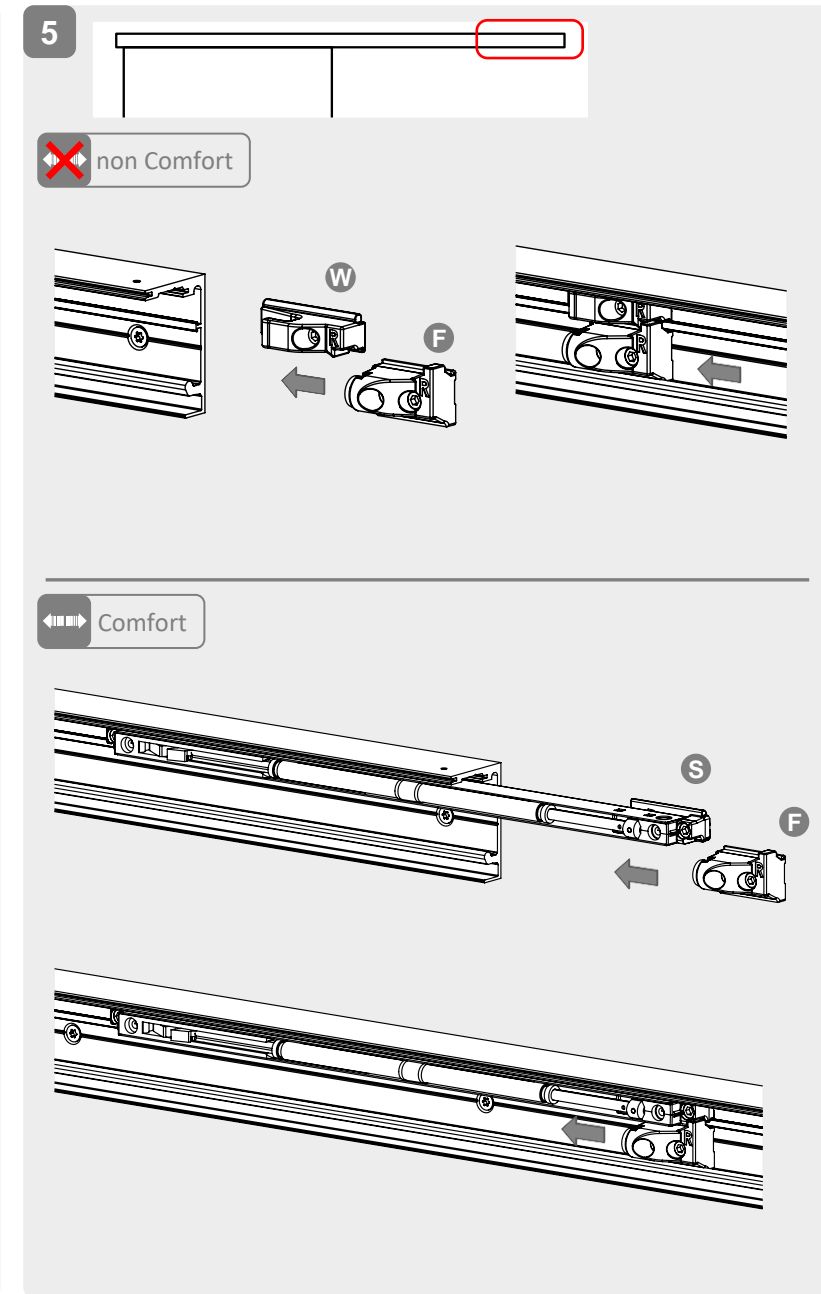
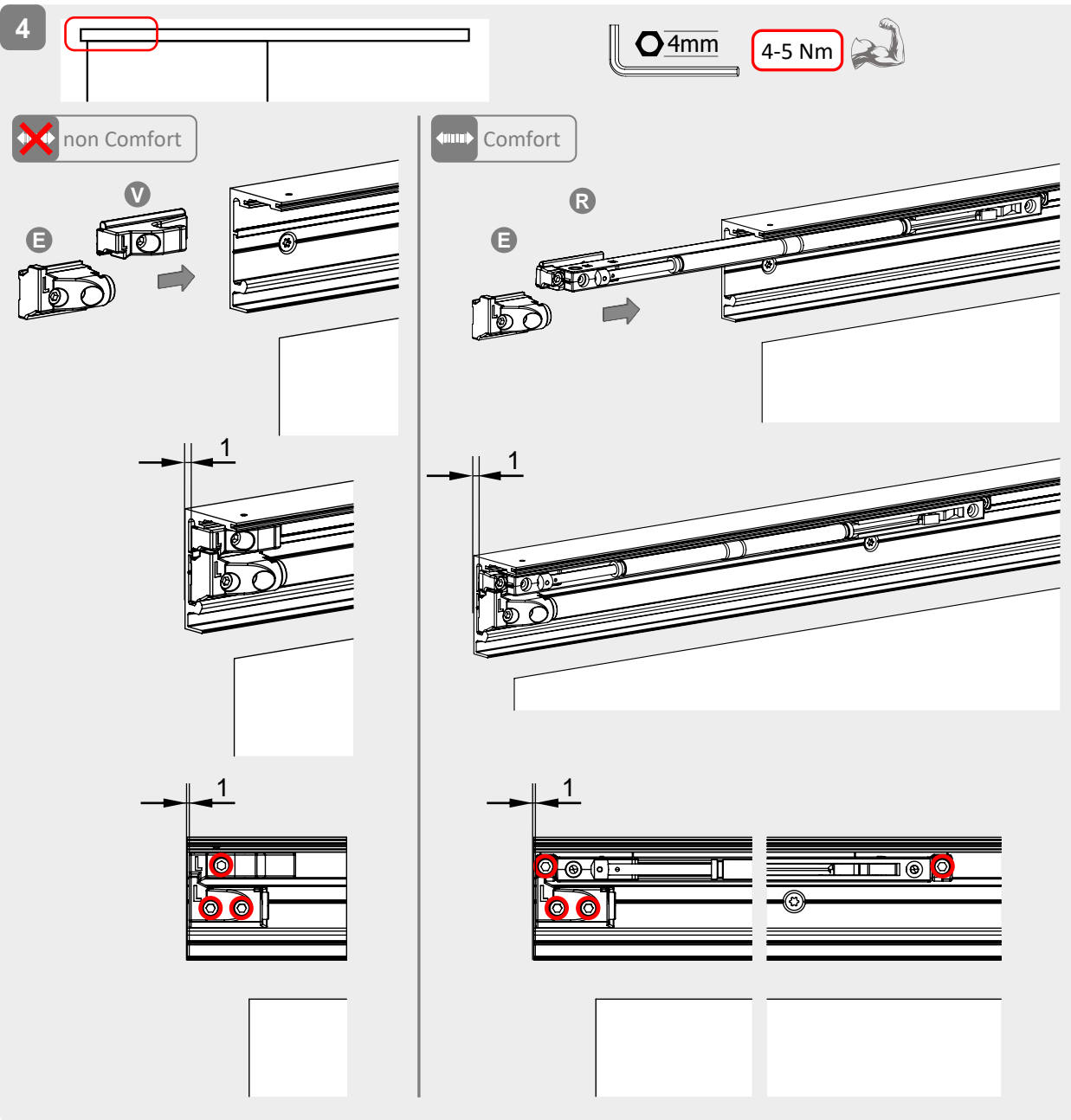
2



3



SCHIEBETÜRSYSTEM X120 GLAS 1-FLG. + COMFORT / sliding door system X120 glass 1-leaf + comfort



SCHIEBETÜRSYSTEM X120 GLAS 1-FLG. + COMFORT / sliding door system X120 glass 1-leaf + comfort

