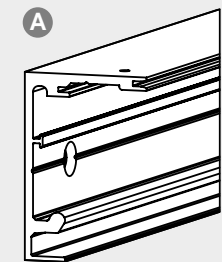
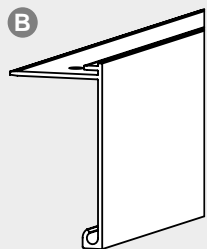


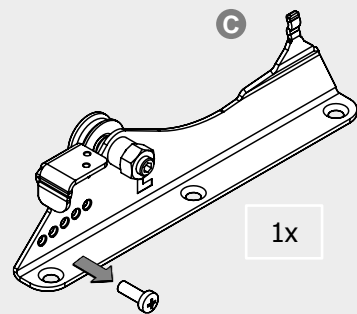
SCHIEBETÜRSYSTEM X60 Holz 1-FLG. COMFORT / sliding door system X60 wood 1-leaf comfort



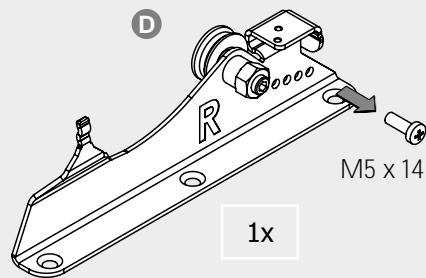
1x



1x

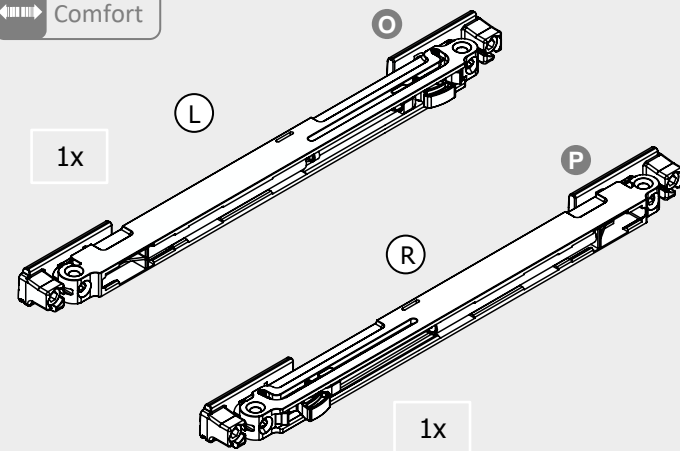


1x



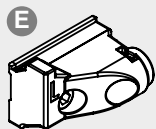
1x

M5 x 14

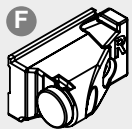


1x

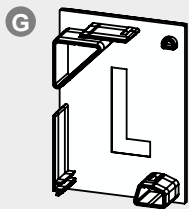
1x



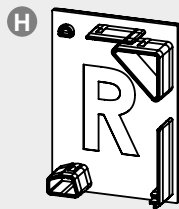
1x



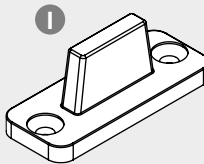
1x



1x



1x

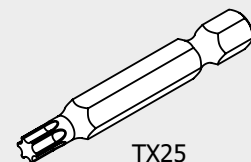


1x



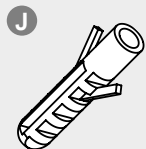
M5 x 14

2x



TX25

1x



6x30

2x



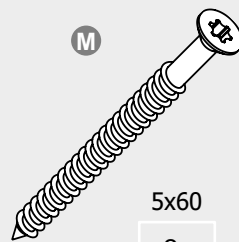
4x30

2x



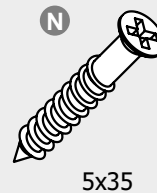
8x40

8x



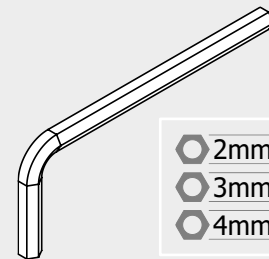
5x60

8x

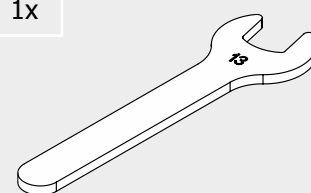


5x35

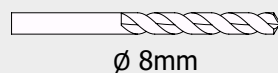
6x



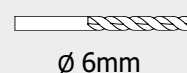
- 2mm
- 3mm
- 4mm



1x



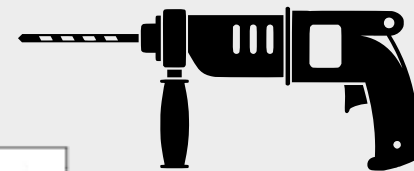
ø 8mm



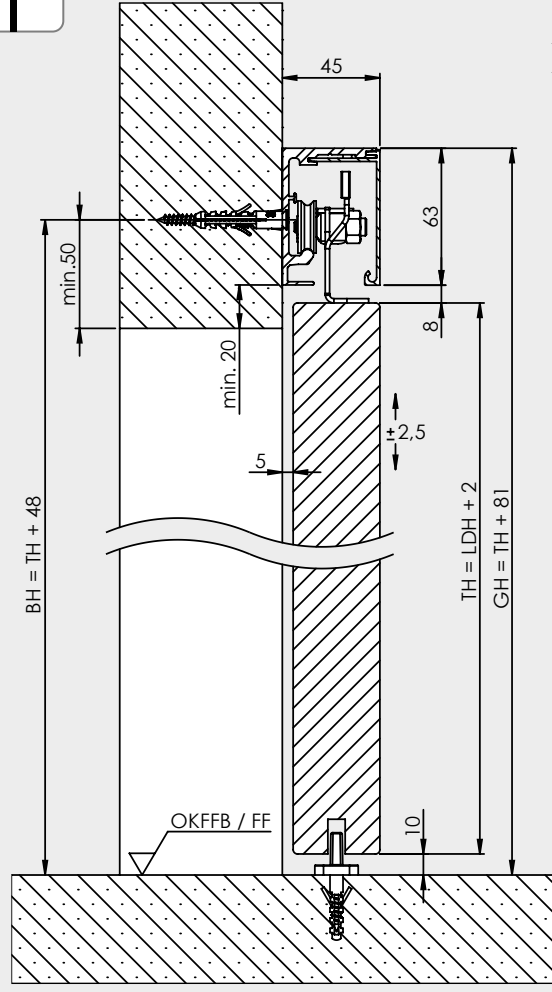
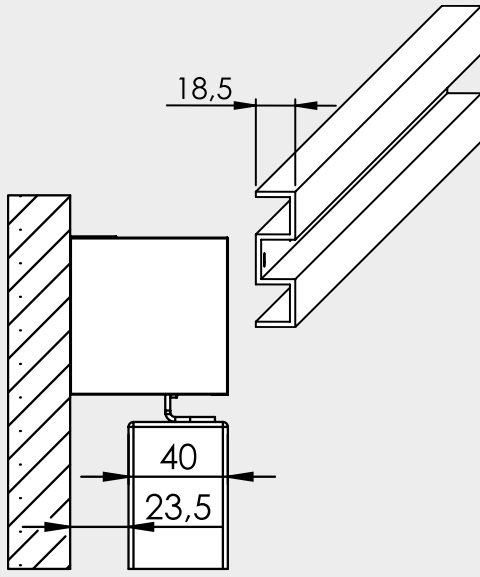
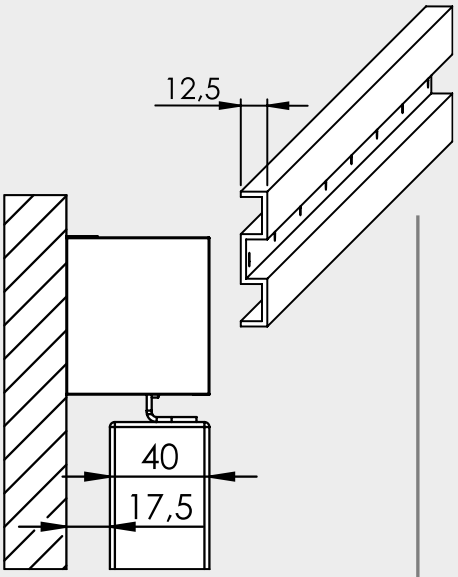
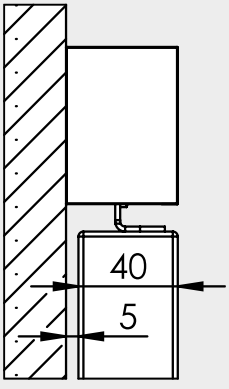
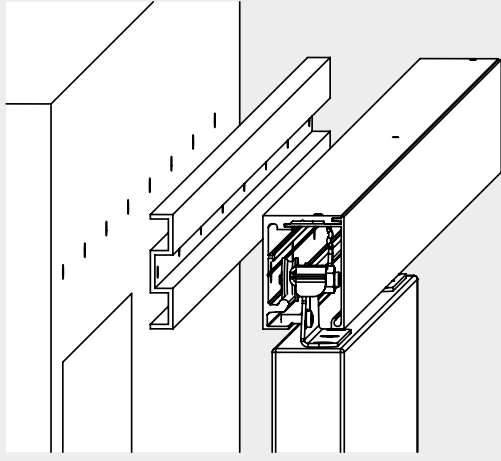
ø 6mm



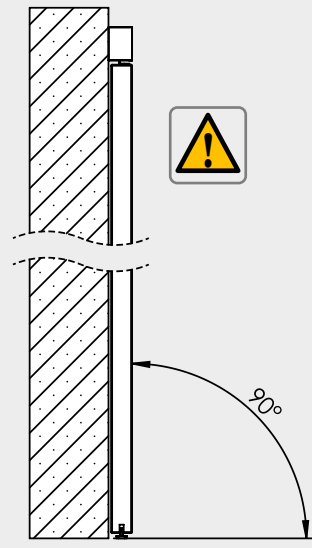
1/4" (6,35mm)



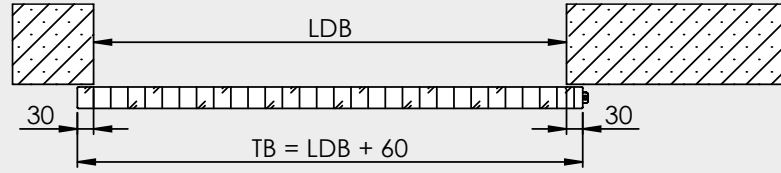
SCHIEBETÜRSYSTEM X60 Holz 1-FLG. COMFORT / sliding door system X60 wood 1-leaf comfort



- BH = Bohrhöhe / drilling level
- GH = Gesamthöhe / total height
- TH = Türhöhe / door height
- TB = Türbreite / door width
- LDH = Lichte Durchgangshöhe / pass line height
- LDB = Lichte Durchgangsbreite / pass line width



Überstand: 30mm empfohlen
overlap: 30mm recommended



SCHIEBETÜRSYSTEM X60 Holz 1-FLG. COMFORT / sliding door system X60 wood 1-leaf comfort

1

BH = TH + 21

X = 32mm

L 8x40

M 5x60

A

2

A

Ø3

13

32

82,5

82,5

B

Ø3

20

22

185

R10

5

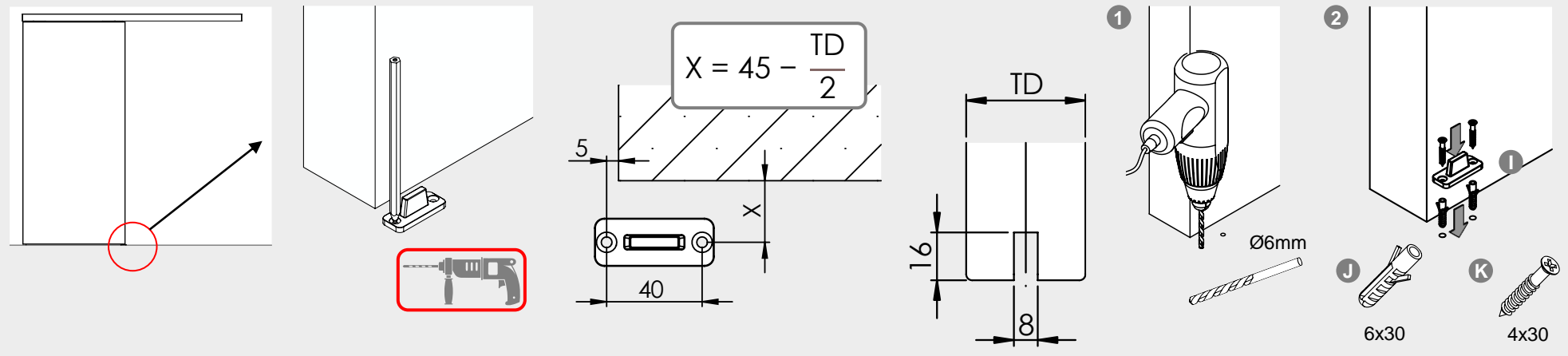
C

D

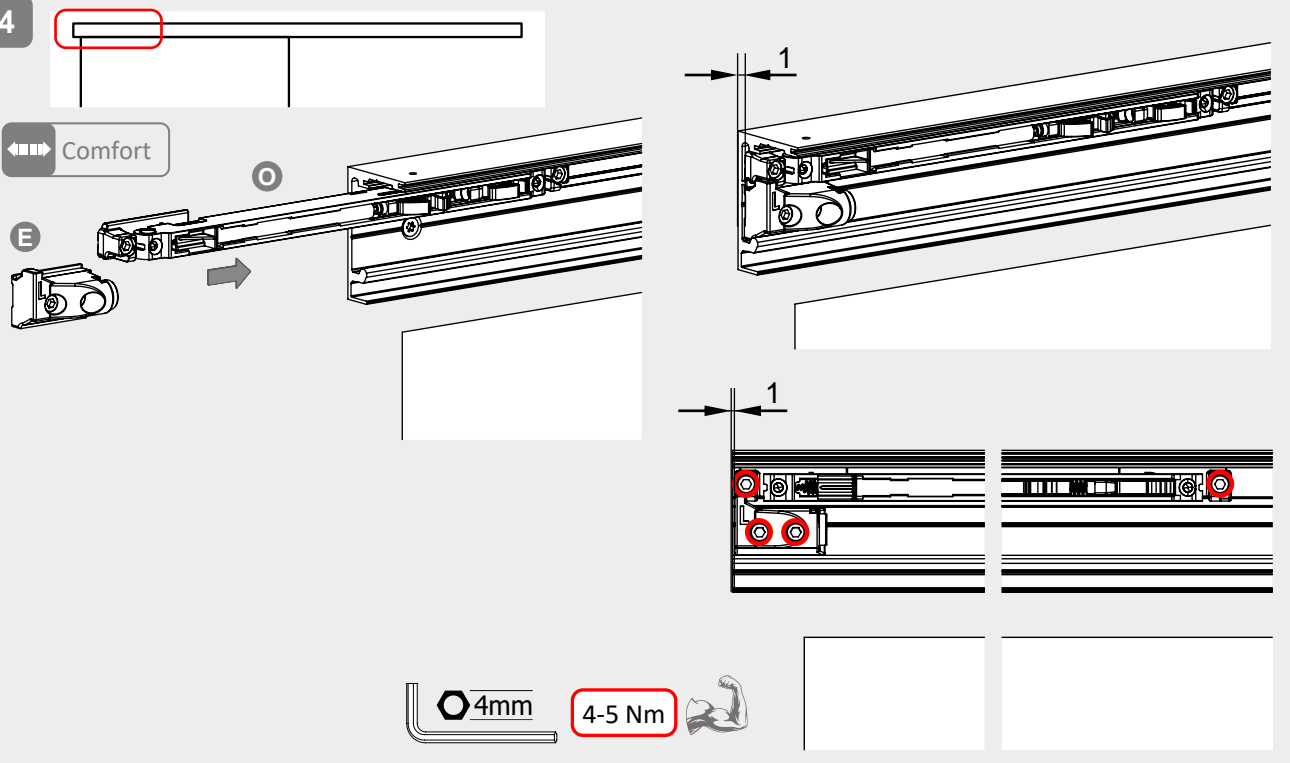
N 5x35

SCHIEBETÜRSYSTEM X60 Holz 1-FLG. COMFORT / sliding door system X60 wood 1-leaf comfort

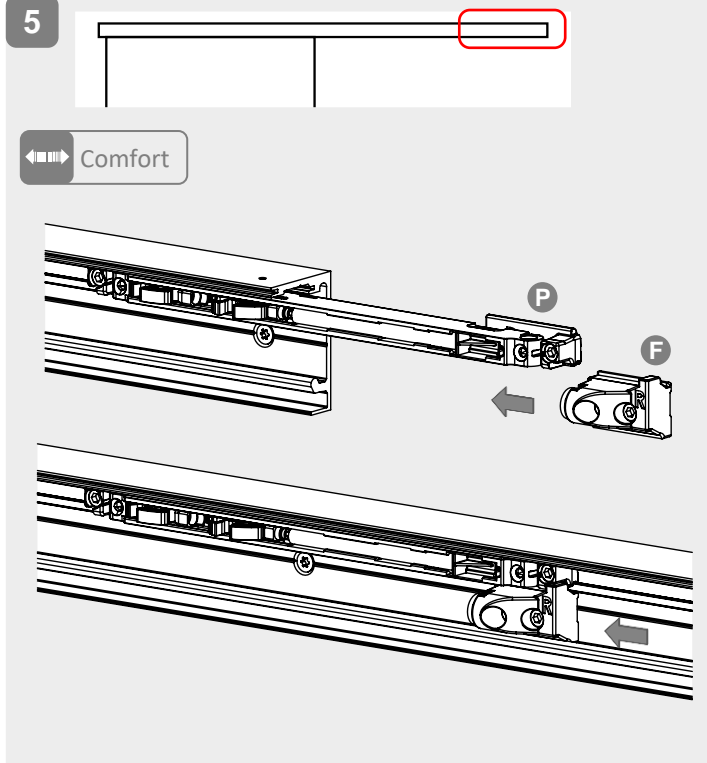
3



4



5



SCHIEBETÜRSYSTEM X60 Holz 1-FLG. COMFORT / sliding door system X60 wood 1-leaf comfort

